

The logo for HAIJIA, featuring the word "HAIJIA" in a bold, blue, sans-serif font. The letter "A" is stylized with a red triangle at its base and horizontal lines extending from its right side.

青岛海佳机械有限公司  
QINGDAO HAIJIA MACHINERY CO.LTD



阳光 · 专注 · 创新 · 利他



阳光 · 专注 · 创新 · 利他

FAIR-AND-SQUARE, DEDICATED, INNOVATIVE, ALTRUISTIC.

总部：青岛海佳机械有限公司  
地址：青岛市西海岸新区王台镇  
环台东路39号  
电话：+86-0532-83130888  
传真：+86-0532-83130888  
手机：+86-13732633567  
网址：www.waterjetloom.com  
邮箱：liujingran@qdhaijia.net

青岛海佳机械有限公司国际贸易部  
地址：青岛市西海岸新区王台镇  
环台东路39号  
电话：+86-0532-83130887  
传真：+86-0532-83130888  
手机：+86-15253276890  
网址：www.waterjetloom.com  
邮箱：eiffel@qdhaijia.net

青岛世纪海佳机械有限公司  
地址：青岛市西海岸新区胶州湾  
西路1219号  
电话：+86-0532-83130888  
传真：+86-0532-83130888  
手机：+86-13732633567



## ENTERPRISE CONCEPT 企业理念



### 企业使命 CORPORATE MISSION

提供有竞争力的产品和服务，  
让织造更轻松

To provide competitive products  
and services, to make weaving  
easier.

### 企业核心价值观 CORE VALUE

阳光 专注 创新 利他

fair-and-square, dedicated,  
innovative, altruistic.

我们致  
力于打造一  
支具有核心竞  
争力的卓越团队，构  
建全球战略格局，树  
立海佳全球品牌形象，  
以工匠精神把中国织机  
做专、做精、做强。

We are committed to  
building an excellent team  
which has the core com-  
petitiveness in the global  
strategic market, and set  
Hajia as a global brand.  
With the spirit of crafts-  
man, we make Chinese  
looms more professional,  
more elaborate and stron-  
ger.

## CONTENTS 目录

1	企业理念 ENTERPRISE CONCEPT	..
2	目录 CONTENTS	..
3	企业概况 COMPANY PROFILE	..
4	发展历程 DEVELOPMENT HISTORY	..
5	资质荣誉 QUALIFICATION HONOR	..
6	总装车间 FINAL ASSEMBLY WORKSHOP	..
7	喷涂车间 PAINTING WORKSHOP	..
8	加工车间 PROCESSING WORKSHOP	..
9	检验中心 INSPECTION CENTER	..
10	喷水织机 WATER JET LOOM	..
11	喷气织机 AIR JET LOOM	..
12	客户案例 CUSTOMER CASE	..



HAIJIA MACHINERY WAS FOUNDED IN 1995 AS A PROFESSIONAL SHUTTLELESS LOOM MANUFACTURER IN CHINA. IT INTEGRATES RESEARCH & DEVELOPMENT, MANUFACTURING, SALES, INTERNATIONAL TRADE AND SERVICE. THE MAIN PRODUCTS INCLUDE "HAIJIA" BRAND HW SERIES WATER JET LOOM AND HA SERIES AIR JET LOOM. ACCORDING TO THE APPRAISAL OF CHINA TEXTILE MACHINERY ASSOCIATION, THE TECHNICAL LEVEL OF WATER JET LOOM PRODUCED BY HAIJIA HAS REACHED THE INTERNATIONAL ADVANCED LEVEL, AND ITS MARKET SHARE HAS BEEN LEADING IN THE WORLD FOR MANY CONSECUTIVE YEARS.

HAIJIA ADHERES TO PROVIDE COMPETITIVE PRODUCTS AND SERVICES, TO MAKE WEAVING EASIER, AND TAKING REJUVENATING THE NATIONAL BRAND AS ITS OWN RESPONSIBILITY. WILL BECOME THE WORLD FAMOUS BRAND OF CHINA'S LOOM INDUSTRY.

# 公司概况

## COMPANY PROFILE

海佳机械  
创建于1995年，  
是集研发、制造、销售、  
国际贸易、服务为一体的，  
中国专业的无梭织机生产制造  
企业。主要产品包括“海佳”牌HW系  
列喷水织机和HA系列喷气织机，经中国  
纺织机械协会鉴定，海佳机械生产的喷水织机  
技术水平达到国际先进，市场占有率连续多年全球  
领先。

海佳秉承提供有竞争力的产品和服务，让织造更轻松的企业使命，以振兴民族品牌为己任，必将成为中国织机行业的世界名牌。



# 发展历程 DEVELOPMENT HISTORY

2001

海佳机械成立，专注于喷水织机生产制造，并在盛泽挂牌成立办事处

HAIJIA machinery was founded in 2001, focusing on production-manufacturing of water jet looms, and set up office in Shengze in the same year.

2005

成立国际贸易部，海佳产品走向巴基斯坦、土耳其、越南等国家

International trade department was established in 2005. Haijia products were exported to Pakistan, Turkey, Vietnam and other countries.

2012

自主研发的第一台 HA-N-230 喷气织机正式下线投产，同年青岛海佳机械有限公司南通办事处挂牌成立

The first set independently researched & developed HA-N-230cm air jet loom was officially put into production in 2012, and Nantong office was established in the same year.

2015

陆续获得国家高新技术企业等荣誉，海佳软实力、硬实力得到全面提升

Haijia successively won the honors of national high-tech enterprises in 2015, its soft and hard power were comprehensively improved.

2019

经鉴定公司自主研发的“HW-8010 高速高密喷水织机”技术水平达到国际先进，通过青岛市工程技术中心认定

In 2019, the technical level of "HW-8010 high-speed and high-density water jet loom" independently researched and developed by the company has reached the international advanced level and passed the certification of Qingdao Engineering Technology Center.

2009

成立研发部，专注喷水、喷气织机研发，企业由生产制造向自主研发转型

R&D department was established in 2009, focusing on researching and developing of water jet and air jet looms, the company transformed from manufacturing to researching and developing.

2018

公司无梭织机产量突破 10000 台，累计销量突破 10000 台；同年成立青岛世纪海佳机械有限公司，打造集研发、生产、营销及售后全流程互联的国际领先的信息化智能无梭织机生产基地

In 2018, the company's production of shuttleless looms exceeded 10,000 units, and the cumulative sales exceeded 10,000 units. In the same year, Qingdao Century Haijia Machinery Co., Ltd. was established to create an internationally leading information-based intelligent shuttleless weaving that integrates the entire process of R&D, production, marketing and after-sales. Machine production base

2020

海佳与全球众多高端纺织企业保持战略合作，如和恒力集团（世界 500 强第 107 位）签订战略合作协议，一次性签订 10000 多台的订单，同年公司产品被认定为山东省首台套产品

In 2020, Haijia maintains strategic cooperation with many high-end textile enterprises around the world, such as signing strategic cooperation agreement with Hengli Group (107th in the world top 500), signing a one-time order of more than 10,000 sets. In the same year, the company's products were identified as the first set of products in Shandong Province



# 企业品牌及荣誉



## 企业品牌及荣誉

CORPORATE BRAND AND HONOR

经中国纺织机械协会官方统计数据表明，海佳机械自主研发并生产的喷水织机国际市场占有率超过20%，连续多年全球领先；

海佳机械坚持技术驱动、创新发展理念，拥有自主知识产权近100项，包括国外发明专利5项；拥有注册商标12项，包括5项国际商标及7项国内商标；

近年来陆续获得山东省创新示范企业，青岛市技术创新中心等荣誉称号；生产的喷水织机被评为山东省“首台套”技术装备，青岛名牌，青岛市专精特新产品；

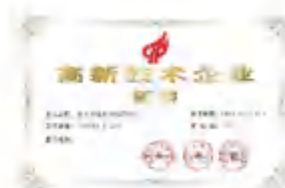
新建的智能制造工厂通过了首批山东省工信厅“现代优势产业集群+人工智能”试点示范企业及青岛市西海岸首批“高端制造业+人工智能”试点示范项目。

According to official statistics from China Textile Machinery Association, the international market share of water jet looms independently developed and produced by Haijia Machinery has exceeded 20%, leading in the world for many years.

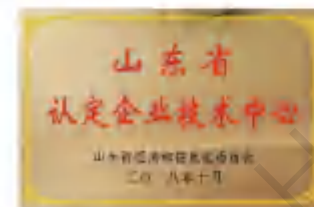
Haijia Machinery adheres to the technology-driven and innovative development concept, and has nearly 100 independent intellectual property rights, including 5 foreign invention patents; 12 registered trademarks, including 5 international trademarks and 7 domestic trademarks;

In recent years, Haijia has successively won the honorary titles of Shandong Province Innovation Demonstration Enterprise and Qingdao Technology Innovation Center; The water jet loom produced was rated as the "first set" of technical equipment in Shandong Province, a famous brand in Qingdao, and Specialty and New Product in Qingdao.

The newly-built intelligent manufacturing factory passed the first batch of "Modern Superior Industrial Cluster + Artificial Intelligence" pilot demonstration enterprises of Shandong Provincial Department of Industry and Information Technology and the first batch of "High-end Manufacturing + Artificial Intelligence" pilot demonstration projects on the west coast of Qingdao.



国家级高新技术企业



山东省企业技术中心



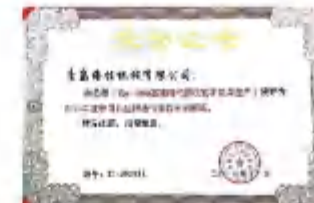
2016年隐形冠军企业



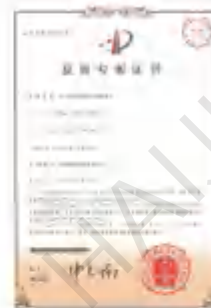
青岛市工程研究中心



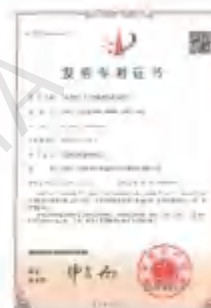
产品开发贡献奖



技术创新奖



用于纺织机械中的分幅装置专利



一种带嵌入式打卷装置的水喷织机



喷水织机实心打纬轴加磨屑上盖



注册商标证书



印度商标



SGS 质量认证



环境管理体系认证



职业健康安全管理体系认证



知识产权管理体系认证



CE 认证



## 总装车间

## FINAL ASSEMBLY WORKSHOP



公司采用整机装配流水线，通过严格的质量管理，精细分化组装工序流程，用专用工具定扭矩紧固连接件，通过整条流水线上的技术来优化产品的质量控制，对生产设施的可靠性、成本效益和质量具有严格的要求，确保了整机组织的品质。

The company adopts advanced inspection and testing equipment to ensure the qualified rate of products produced in each process and strictly control the quality fluctuation, so as to guarantee the product quality of the whole machine. Improve the production process, reduce the quality cost and improve the comprehensive competitiveness through inspection. The company adopts advanced inspection and testing equipment to ensure the qualified rate of products produced in each process and strictly control the quality fluctuation, so as to guarantee the product quality of the whole machine. Improve the production process, reduce the quality cost and improve the comprehensive competitiveness through inspection.



## 喷涂车间 PAINTING WORKSHOP

喷涂车间采用公司自主研发的全自动涂装生产线及喷涂机器人，采用与汽车生产相同的电泳涂装工艺，确保复杂工件内外表面漆膜均匀平整，大幅提高工件的防腐性能。环保表面处理、电泳涂装、及面漆工艺、涂膜干燥工艺全部实现自动化，提高工件涂装质量，具备与汽车同样的耐盐雾性能，外观更具优异性。

The painting workshop adopts the fully-automatic painting line and spraying robot independently developed by the company, and uses the same electrophoresis coating process as automobile production to ensure that the inner and outer surfaces of the complex parts are even and smooth, which greatly improves the corrosion resistance of the parts. Environmental protection surface treatment, electrophoresis coating, and topcoat process, coating film drying process are all automated, improve the quality of coating, and the same salt spray resistance as the car could show more excellent of the appearance.



### 480小时盐雾试验

480H SALT SPRAY TEST

未经过电泳工艺处理 Without Electrophoresis



严重锈蚀 Severe Rust

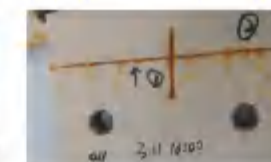
经过电泳工艺处理 After Electrophoresis



轻微锈蚀 Slight Rust



未经过480.5min Undercoat Rust 2.5mm



经过480.5min Undercoat Rust 0.5mm



## PAINTING WORKSHOP



## 加工车间 PROCESSING WORKSHOP



## PROCESSING WORKSHOP

公司配备牧野卧加全自动化墙板生产线，马扎克卧加 FMS 柔性线及三条数控车自动生产线，采用信息化管理手段，能够自动控制和管理织机关键部位精密零部件的加工过程，包括制造质量的自动控制、故障的自动诊断和处理及制造信息的自动采集和处理，实现零部件自动化精加工，加工精度达到 0.01mm，极大的提高了整机稳定性和开机效率。

Our company is equipped with two flexible manufacturing systems (FMS lines) and two shaft processing lines. It adopts information management methods to automatically control and manage the processing of precision parts in key parts of the loom, including automatic control of manufacturing quality, automatic diagnosis and processing of faults, and automatic collection and processing of manufacturing information, to achieve automatic precision machining of parts and components, the processing accuracy reaches 0.01mm, which greatly improves the stability and start-up efficiency of the whole machines.





## 检验中心 INSPECTION CENTER

公司采用先进的校验检测设备，确保每个工序生产产品合格率，严格把控质量波动，从而保证整机的产品质量。通过检验改进产品生产工艺，降低质量成本，提升产品综合竞争力。

The company adopts advanced inspection and testing equipment to ensure the qualified rate of products produced in each process and strictly control the quality fluctuation, so as to guarantee the product quality of the whole machine. Improve the production process, reduce the quality cost and improve the comprehensive competitiveness through inspection.





## WATER JET LOOM

# 喷水织机



① 引纬系统

WEFT INSERTION SYSTEM



② 织边绞边系统

SELVAGE SYSTEM



③ 电气控制系统

ELECTRIC CONTROL



④ 电子送经

ELECTRONIC LET-OFF



⑤ 打纬系统

BEATING-UP SYSTEM



⑥ 机架系统

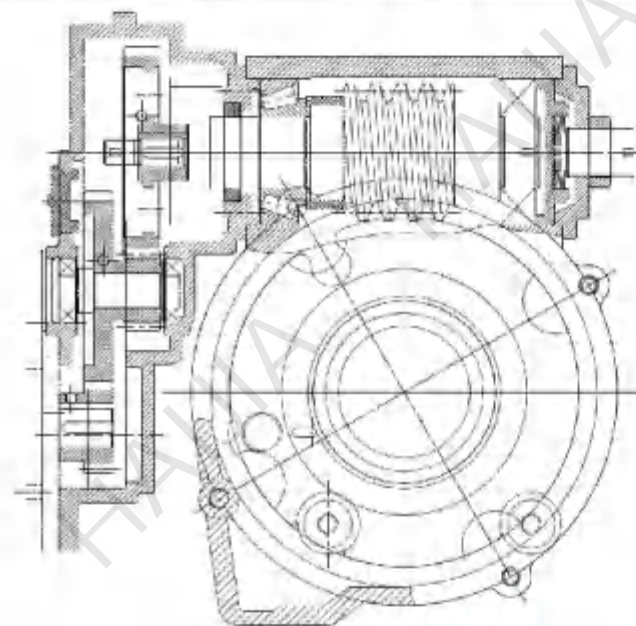
FRAME SYSTEM



## ELECTRONIC LET-OFF

改进原有电子送经装置,通过张力传感器检测经纱总张力,由高速CPU处理由于开口或松经、送经、经轴的卷径变化引起的经纱张力变化,通过改进的模糊PID控制算法,将调速指令经伺服电机传动到经轴,从而降低经纱张力波动,消除了开车稀、密档,保证织物均衡平整。采用刚性的机架,大直径的经轴齿轮等,使织机更进一步实现高速化,可以更加灵敏地适应高密织物的织造要求。

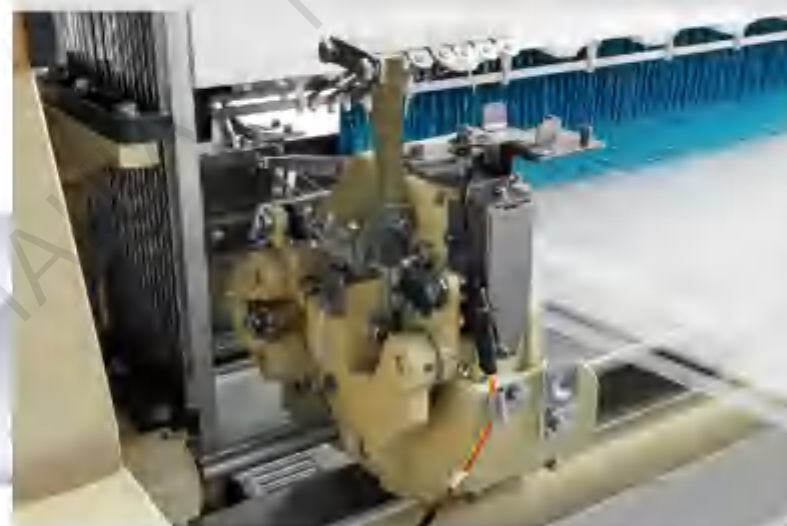
By improving the previous electronic let-off device, determining the warp tension by tension sensor. The high-speed CPU handles changes in warp tension caused by changes in the opening or loose warp, let-off, and warp beam diameter, through the improved fuzzy PID control algorithm, the speed regulation command is transmitted to the warp beam through the servo motor, thereby reducing the warp tension fluctuation, eliminating the rare and dense driving, and ensuring the fabric is balanced and smooth. The machine adopts rigid frame, large diameter warp beam gear and inner oil bath type positive loose warp drive shaft, etc., so as to further realize high speed running, which can be more sensitive to meet the weaving requirements of high-density fabric.



## SELVAGE SYSTEM

在传统的绞边装置基础上加大了耳丝的开口量,防止挂纬,提高开机效率。另外增加了独立的废边纱开口系统,在凸轮开口和多臂开口织造特殊组织织物时,可以节省两片综框。

On the basis of the traditional selvage device, the opening space of leno is increased to prevent the weft hanging problem and improve the running efficiency. In addition, a separate waste edge opening system is added to save two heald frames when weaving special fabric with cam or dobby shedding.

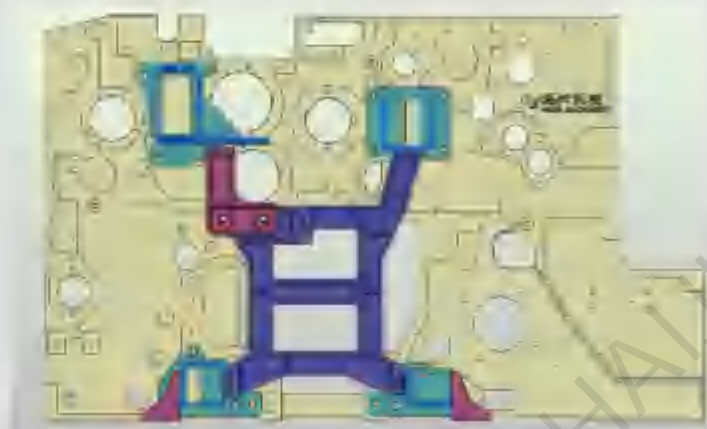




## FRAME SYSTEM

为了提升机架的刚性及有效防止共振并降低地面振动和运行噪音,采用加强型整体式喷水织机墙板。对织机的墙板尺寸进行重新设计,采用新型一体式大墙板和扎实的横梁组合成坚固的机架,并增加了机架中间支撑,使得整机的刚性和强度得到大幅提升,抗震性和可靠性好,确保了织机高速化、宽幅化和低噪音。同时降低织机重心20mm,完善人体工程学,更加方便挡车工的操作。

Enhanced integrated waterjet loom wall panel is adopted to improve the rigidity of the frame, effectively prevent resonance and reduce ground vibration and operating noise. Redesigned the size of the wall panel of the loom, using a new integrated large wall panel and a solid beam to form a sturdy frame, and increased the middle support of the frame, so that the rigidity and strength of the machine are greatly improved, and the seismic resistance good reliability and high speed, wide width and low noise of the loom. At the same time, the center of gravity of the loom is reduced by 20 mm, which improves the ergonomics and makes it easier for the weavers to operate.



## WEFT INSERTION SYSTEM

为了降低织造成本和更好地保护环境,普遍采用了防溅式“U”型喷嘴,防溅式“U”型喷嘴与普通喷嘴相比具有更好的水线集束性,采用直径较小的柱塞,实现了小开口引纬和较小水量下也能稳定的运转,单台织机节水10%。织机机身加固方面借鉴了喷气织机的优点,使机身更加稳固,保障在超高速运转时能保证机身平稳,广泛适用于织造细旦、高密、重磅的织物。

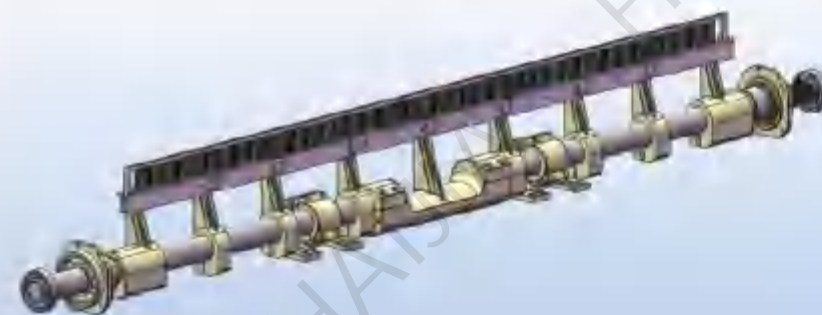
In order to reduce the cost of weaving and better protect the environment, our company generally uses splash-proof "U" type nozzle. Splash-proof "U" nozzles have better waterline bunching than ordinary nozzles, and adopt plunger with smaller diameter to achieve stable operation under the condition of small weft insertion and small water volume, saving 10% water for a single loom. Reinforce the body of loom to learn the advantages from the air jet loom, make the body more stable, and ensure the stability of the body during ultra-high-speed operation. It is widely used for weaving fine denier, high density and high-speed fabrics.



## BEATING-UP SYSTEM

对打纬机构进行了运动规律分析和动态平衡理论分析,利用现代设计方法优化了打纬结构,动程短,振动小。整机采用了公司自主研发的“U”型实心打纬轴及打纬平衡系统,针对不同织物品种及拓幅的要求,设计多种打纬动程,设计优化了打纬机构,各动程的曲轴偏心距都有所减少,减少了整机的振动。窄幅机采用在高速适应性方面获有优秀评价的小动程四连杆打纬。宽幅机则采用六连杆打纬,后死心静止时间都在45度以上,实现在宽幅织造时有充足的引纬时间,并提供强劲的打纬力,广泛适用宽幅高纬密的织物。

We carried out motion rule analysis and dynamic balance theory analysis on the beating mechanism, and optimized the beating structure using modern design methods with short stroke and small vibration. The whole machine adopts the "U"-shaped solid beat-up shaft and beat-up balance system independently developed by the company. For different fabric types and reed width requirements, we have designed a variety of beat-up strokes and optimized the beat-up mechanism. The eccentricity of the crankshaft of each stroke has been reduced, reducing the vibration of the whole machine. The narrow-width machine adopts small stroke four-link beating which has excellent evaluation in high-speed adaptability. The wide-width machine adopts six-link beating-up, and the rest dead time is more than 45 degrees. It realizes sufficient weft insertion time on the wide-width loom and provides strong beat-up force. It is widely used in wide-width and high weft density fabric.



## ELECTRIC CONTROL

采用直驱电机及全新优化设计的控制系统,整机耗电量降低20%以上,取消刹车盘,可实现无级变速。

Using motorized spindle motor and new control system with optimized design, the brake flange can be removed, which could realize no grade speed shift, and the power consumption of the whole machine can be reduced by more than 20%.





## AIR JET LOOM

# 喷气织机

① 坚固的机架  
STRONG FRAME STRUCTURE



② 电子送经装置  
ELECTRONIC LET-OFF



③ 超启动马达  
SUPER START MOTOR



④ U型打纬轴  
U SHAPED BEATING-UP SHAFT



⑤ 优化的松经结构  
OPTIMIZED LET OFF STRUCTURE



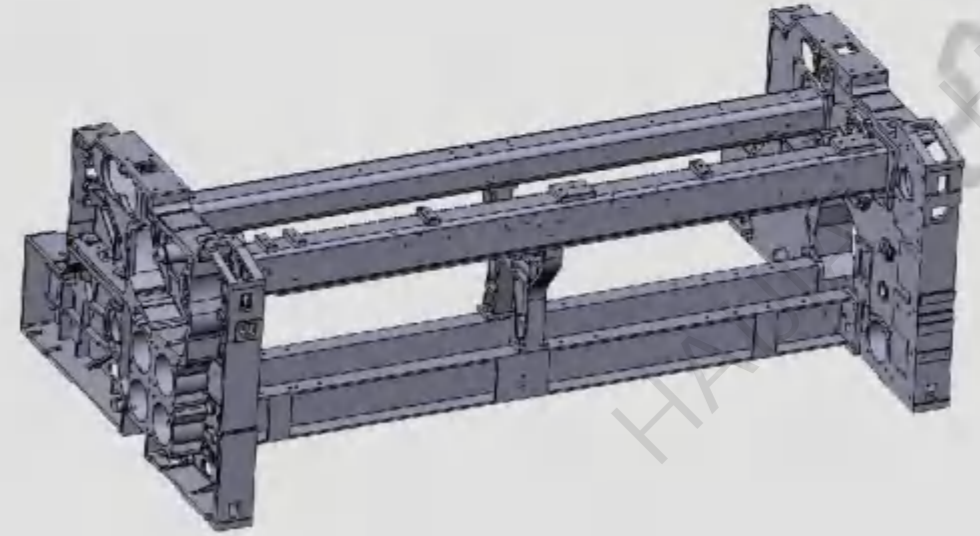
⑥ 电子卷取装置  
ELECTRONIC TAKE UP



## STRONG FRAME STRUCTURE

机架采用强韧的墙板和刚性高的横梁，并增加了机架中间支撑，抗震性和可靠性好，确保了织机高速化、宽幅化和低噪音。

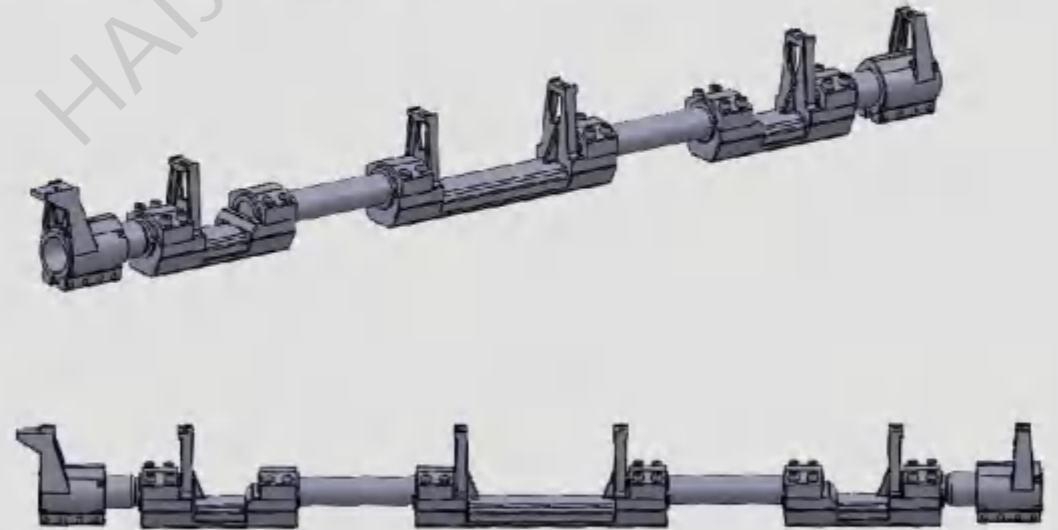
The strong frame is adopted robust wallboard and solid beam, furthermore, we increase a middle support to ensure that our loom could work in higher speed, lower noise and wider reed space.



## U SHAPED BEATING-UP SHAFT

摇轴采用实心轴和偏心配重块并带中支撑的装置，提高了打纬机构的刚性，改善了机构的平衡度，确保在高速运转中准确有力的打纬。

The rock shaft adopts a solid body and an eccentric counterweight block with a middle support device to improve the rigidity of the beating mechanism. Which makes the mechanism more balance, ensures the accurate and powerful beating in high-speed operation.





**ELECTRONIC LET-OFF**

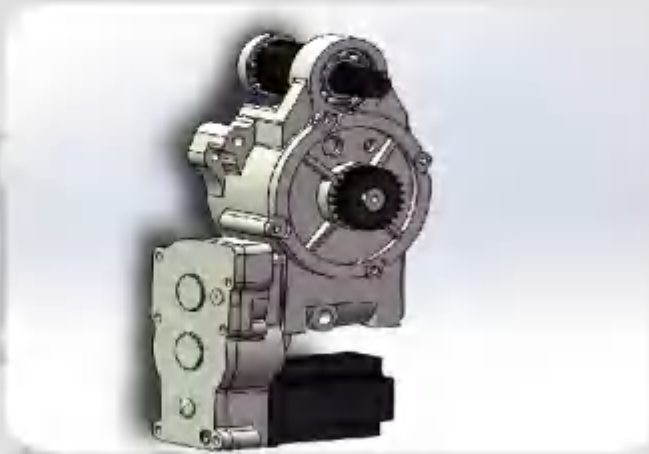
通过张力传感器检测经纱总张力,由CPU处理由于开口或松经、送经、经轴的卷径变化引起的经纱张力变化,指令伺服电机传动经轴,从而在工作过程中保持均衡化的张力,消除了开车稀、密档,保证织物均衡调整。采用刚性的机架、大直径的经轴齿轮等,使织机更进一步实现了高速化,可以更加灵敏地适应高密织物的织造要求。

The mechanical continuous take-up and electronic take-up are adopted to optimize the design and increase the friction between the roller and the fabric. Combined with the electronic let-off through accurate positive and inversion, it can effectively prevent the Machine Stop; the material and processing accuracy of the key worm and gear are greatly improved. By deducting the abrasion of worm and gear, it can prolong the service life and improve the quality of the fabric.

**ELECTRONIC TAKE UP**

采用电子卷取形式。结合电子送经再通过电控的自动化控制防止了停车档的产生。

It adopts the form of electronic coiling, combined with electronic let off and then through the automatic control of electric control to prevent the generation of parking gear.

**SUPER START MOTOR**

采用当今先进的超启动马达,在织机启动时可以产生高输出转矩,以提高第一梭的打纬力量。同时采用了大力矩的电磁刹车,提高了制动力,从而防止停车挡的产生,提高了织物的产品质量。

Using today's advanced super starter motors, high output torque can be generated when the loom is started, to improve the weft beating force of the first shuttle. At the same time, a large torque electromagnetic brake is used to improve the braking force, so as to prevent the parking stop, and improve the quality of the fabric.

**OPTIMIZED LET OFF STRUCTURE**

利用计算机优化设计的打纬结构,动程短,振动小。窄幅机采用了在高速适应性方面获有优秀评价的4节连杆打纬。宽幅机则采用了引纬时间富有余地的6节连杆打纬,从而实现了高速运转时的稳定打纬。

Using the beating structure which is optimized designed by computer, can realize the shorter traverse and less vibration. The narrow machine adopts 4 linkage beating which has been obtained the excellent evaluation in the high-speed adaptation. Wide machine adopts 6 linkage beating, which has much more weft insertion time, thus to realize the stable beating while high-speed running.





**客户案例**  
**CUSTOMER CASE**



**国内销售一部**

地址 TEL: 江苏吴江市盛泽纺机市场 2 栋 123 号

电话 TEL: +86-0512-63512937

传真: +86-0512-63512037

手机: 18626163533

邮箱: guanchengcheng@qdhaijia.net

**国内销售二部**

地址 TEL: 江苏省宿迁市泗阳县北京东路金碧蓝湾小区北门 1—101

联系人: 王先生

手机: 13004567635

邮箱: wangbenren@qdhaijia.net

**国内销售三部**

地址 TEL: 江苏南通市如东县岔河镇岔南力神路 12 号

联系人: 王先生

手机 TEL: 13862776877

邮箱: wangxuezhong@qdhaijia.net



青岛世纪海佳机械有限公司

纺织机械智能制造工厂

